

BRONTES INSTALLATION MANUAL

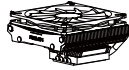
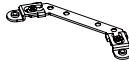
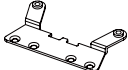




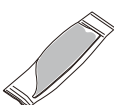
Caution

- Please make sure to read the Installation Guide before installing this product.
- Please do NOT modify or disassemble this product
- Please keep this product AWAY from children
- Please do NOT use this product for non-PC environmen
- Please wear gloves during the installation to avoid injuries
- To prevent electrical shocks, please turn off system power and unplug the power cord of the system before beginning the installation.

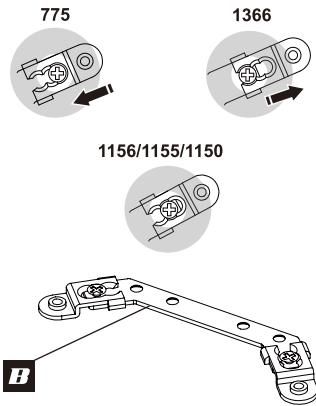
警告

- ご使用前に必ず同梱の説明書をよくお読み下さい。
- 危険ですので、分解、改造等は絶対に行なわないで下さい。
- お客様の手の届く範囲内に本製品を保管しないで下さい。
- 想定した方法以外でのご使用はお止め下さい。
- 手を切る恐れがありますので、取付作業の感電の恐れがございますので、取付付けのコンセントを外した状態で取付けを行ってください。

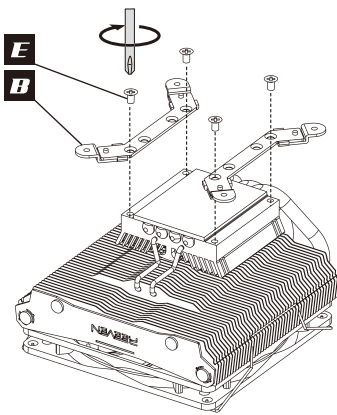
Parts List

| | | | |
|---|--|--|---|
| A Cooler  | B Clip for Intel CPU x2  | C Clip for AMD CPU x2  | D Clip for AMD (AM1) CPU x 2  |
| E Clips Screw for Heatsink x 5  | F Silicon Washer x4  | G Screw dor Back Plate x4  | H Thermal Grease  |

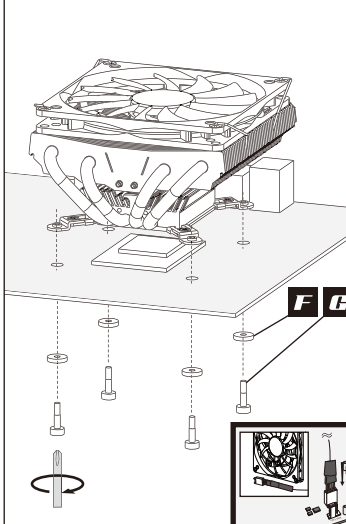
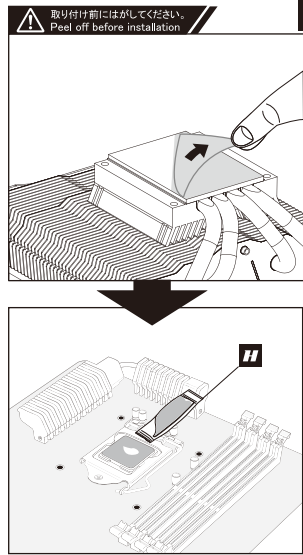
Intel LGA775/1150/1155/1156/1366



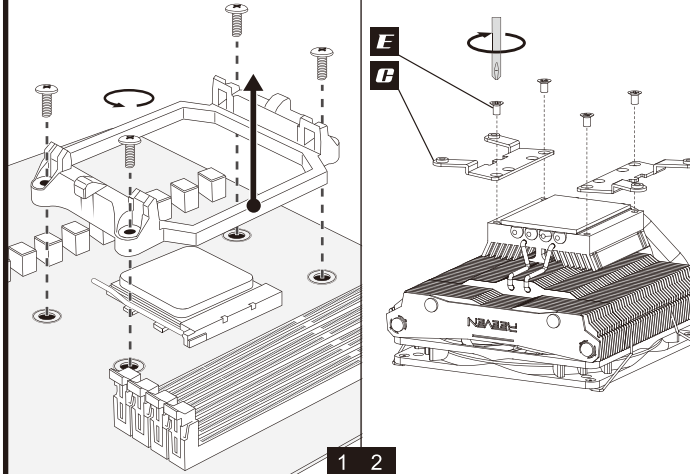
Screws already assembled for LGA 115X.
Please adjust screws positions for 775 and 1366.



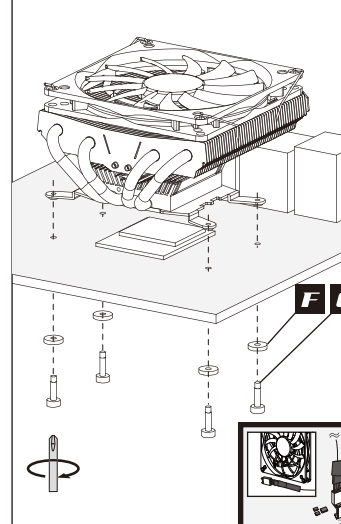
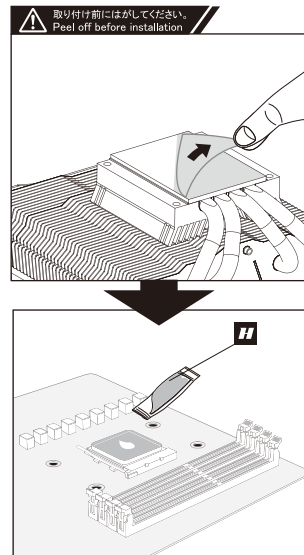
1 2
3 4



AMD Socket AM3(+)/AM2(+)/FM1/FM2(+)



1 2
3 4



AMD Socket AM1

